

PROferred™

APPLIANCES

Buffet Server/Griddle

Instruction Manual



Register this and other Focus Electrics products through our website:
www.westbend.com

Important Safeguards..... 2

Precautions For Use Around Children..... 2

Electricity Precautions..... 3

Heat Precautions..... 4

Using as a Griddle..... 5

Using as a Buffet Server 6

Cleaning Your Buffet Server/Griddle 6

Temperature Guide..... 8

Warranty..... 9

SAVE THIS INSTRUCTION MANUAL FOR FUTURE REFERENCE

IMPORTANT SAFEGUARDS



CAUTION

To prevent personal injury or property damage, read and follow all instructions and warnings.

When using electrical appliances, basic safety precautions should always be followed including:

- Read all instructions, including these important safeguards and the care and use instructions in this manual.
- Do not use appliance for other than intended use.
- Do not place on or near a hot gas or electric burner, in a heated oven, or in the refrigerator or freezer.
- Do not operate when the appliance is not working properly or when it has been damaged in any manner. For service information see warranty page.
- The use of accessory attachments not recommended by Focus Electrics may cause injuries.
- Do not attempt to repair this appliance yourself.



CAUTION

To prevent burns or other personal injuries to children, read and follow all instructions and warnings.

PRECAUTIONS FOR USE AROUND CHILDREN

- Always supervise children.
- Do not allow children to operate or be near the appliance, as the outside surfaces are hot during use.
- Do not allow cord to hang over any edge where a child can reach it. Arrange cord to avoid pulling, tripping or entanglement.



CAUTION

To prevent electrical shock, personal injury or property damage, read and follow all instructions and warnings.



ELECTRICITY PRECAUTIONS

- To protect against electric shock, do not immerse cord, plugs, or other electric parts in water or other liquids.
- Do not operate any appliance with a damaged cord or plug.
- Do not use this appliance outdoors.
- Always check to ensure handles/legs are assembled and fastened properly. Over tightening can result in stripping of screws or cracking of handles/legs.
- Always attach plug to appliance first, then plug cord into the wall outlet. To disconnect, turn any control to "OFF", then remove plug from wall outlet.
- Always unplug from outlet when not in use and before cleaning. Allow to cool before putting on or taking off parts and before cleaning.
- Your appliance has a short cord as a safety precaution to avoid pulling, tripping or entanglement. Position the cord so that it does not hang over the edge of the counter, table or other area or touch hot surfaces.
- While use of an extension cord is not recommended, if you must use one, make sure the cord has the same or higher wattage rating as the griddle (wattage is stamped on the underside of the plug protector). If the appliance is of the grounded type, the extension cord should be a grounded-type 3-wire cord. To avoid pulling, tripping or entanglement, position the extension cord so that it does not hang over the edge of the counter, table or other area.
- Use an electrical outlet that accommodates the polarized plug on the appliance. On a polarized plug, one blade of the plug is wider than the other. To reduce the risk of electric shock, this plug is intended to fit into a polarized outlet only one way. If the plug does not fit fully into the outlet or extension cord, reverse the plug. If the plug still does not fit, contact a qualified electrician. Do not attempt to modify the plug in any way.
- Do not use an outlet or extension cord if the plug fits loosely or if the outlet or extension cord feels hot.
- Keep the cord away from hot parts of the appliance and hot surfaces during operation.
- CAUTION: Risk of fire or electric shock. Only operate this appliance with the WB #8 plug in place.



CAUTION

To prevent burns, personal injury or property damage, read and follow all instructions and warnings.

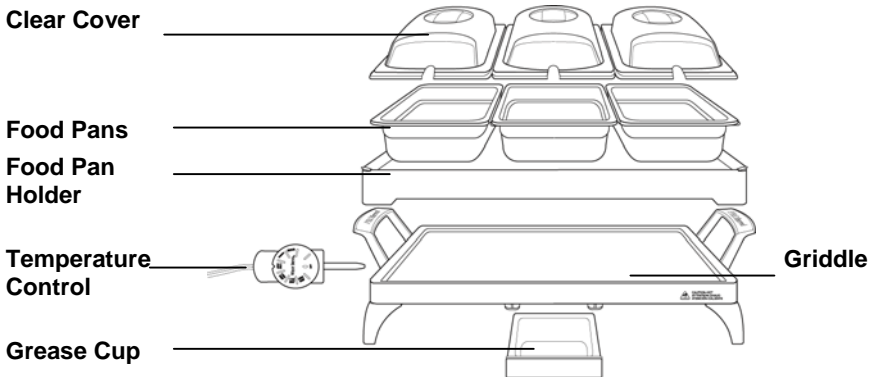


HEAT PRECAUTIONS

- Do not touch hot surfaces. Use handles or knobs and hot pads or oven mitts.
- Extreme caution must be used when moving an appliance containing hot oil or other hot liquids.
- Do not use temperature setting above 200°F (95°C) for buffet server or warming applications.
- Do not place plastic cooking or serving containers or utensils directly on heating surface as melting of plastic could occur.

SAVE THESE INSTRUCTIONS

USING YOUR BUFFET SERVER/GRIDDLE



BEFORE USING THE FIRST TIME:

1. Wash griddle, grease cup, food pans and clear cover(s) in warm soapy water with a dishcloth or sponge to remove any manufacturing oils. Rinse thoroughly and dry. Be sure temperature control socket is removed and socket is completely dried. Slide grease cup securely in place below drain hole on griddle surface. It is recommended that the grease cup be used with any cooking application to help contain possible overflows or spills.

2. Condition the non-stick finish by lightly wiping two teaspoons of cooking oil with paper toweling or a soft cloth over the entire surface before turning on while cool. Let cooking oil remain on the finish. Do not use butter or shortening to condition the non-stick surface.
3. Check to ensure handles/legs are secured tightly to the griddle base. To tighten, place cool griddle upside down on tabletop. Tighten handle/leg screws by turning in a clockwise direction using the appropriate screwdriver. Do not over tighten as stripping of the screws can occur. Periodic tightening may be required.

USING AS A GRIDDLE

1. Always use on a dry, level, heat-resistant surface. Do not operate griddle when hands are wet. Check to ensure handles/legs are secured tightly to the griddle base. Attach temperature control to griddle with dial set to the OFF position. Be sure grease cup is securely in place below drain hole on griddle surface. Do not block airflow under griddle. Plug cord into a 120-volt AC electrical outlet ONLY.
2. Refer to the Temperature Guide in this booklet for selecting correct heat settings. (If food is taken directly from freezer, use heat setting as indicated on guide, but allow longer cooking time.) Most foods require a preheat period.
3. The signal light on the temperature control will go out when the cooking temperature has been reached; add food. Heat may be increased or decreased, depending upon personal preference and the type or amount of food being prepared. The signal light will go on and off periodically to indicate that the proper temperature is being maintained.
4. Foods may be prepared with or without fats. When frying, the use of a small amount of butter, fat, or oil will improve the flavor, color, and crispness of foods. When frying fatty foods such as bacon or sausage, excess grease will drain into the grease cup through the drain hole located on the surface of the griddle. **Do not remove the grease cup during cooking.** Always allow griddle to cool completely before removing grease cup.
5. Nylon, plastic, wooden, or rubber cooking tools are recommended for use on the non-stick surface. Smooth-edged metal cooking tools may be used with care. Do not use sharp-edged cooking tools such as forks, knives or food choppers as scratching may occur. Minor scratching will affect only the appearance of the finish; it will not harm its non-stick property.
6. When cooking period is completed, set the temperature control dial to WARM for later serving, or set dial to OFF if food will be removed immediately from griddle. After the dial is set to OFF, disconnect cord from wall outlet. Let griddle cool before removing temperature control and grease cup.

USING AS A BUFFET SERVER

1. Always use on a dry, level, heat-resistant surface. Do not operate when hands are wet. Check to ensure handles/legs are secured tightly to the griddle base. Attach temperature control to griddle with dial set to the OFF position. Be sure grease cup is securely in place below drain hole on griddle surface. Do not block airflow under griddle. Plug cord into a 120-volt AC electrical outlet ONLY.
2. Place the food pan holder on the warming base and place food pans inside food pan holder. Add food. Set covers on food pans. **Note:** Heat and moisture will be retained if covers are kept on serving dishes. A slot in the cover is provided for a serving utensil.
3. This Buffet Server is equipped with two heat settings. Setting 1 (warm) is a minimum hold temperature of 140°F (60°C) and setting 2 (simmer) is from 180°F to 200°F (82°C - 95°C). For best results, use setting 2 to quickly reach serving temperature, then adjust to setting 1 to keep warm. Check heat control setting before operation. Do not use temperature settings above 200°F (95°C) for buffet server or warming applications.

Note: You may use this unit either fully assembled with food pans or use the griddle base alone as a warming tray. **Food placed on warming base or in food pans should be fully cooked and already hot as the Buffet Server is designed for keep-warm function only.** To retain heat and moisture in foods, keep lids on food pans when not serving.

- A small amount of smoke and/or odor may occur upon heating due to the release of manufacturing oils – this is normal.
- Some minor expansion/contraction sounds may occur during heating and cooling – this is normal.

CLEANING YOUR BUFFET SERVER/GRIDDLE

1. Clean griddle thoroughly after each use. Do not immerse griddle in cold water when it is hot. Let griddle cool completely, then remove temperature control and grease cup. Dispose of grease. Immerse griddle and grease cup in warm soapy water. The stainless steel pans and clear plastic covers may be cleaned in a dishwasher. Covers should be placed in the top rack only. Wipe temperature control with a damp cloth if necessary. Rinse and dry thoroughly.
2. Clean the non-stick surface of the griddle with warm soapy water, using a non-metal cleansing pad such as Scrunge® scrubber sponge, Dobie®, or Scotch-Brite Cookware Scrub'n Sponge®. A dishcloth or sponge may give the non-stick surface a clean look, but will not remove the tiny food particles that can settle in the finish. Do not use metal scouring pads or harsh scouring powders.

3. Clean the non-coated aluminum underside of the griddle with warm soapy water and a soap-filled steel wool scouring pad. Remove stains with household cleanser. Remove burned-on grease with a special cleanser for appliances, such as Wantz™ Frypan and Grill Cleaner, Afta™ Fry Pan Cleaner, Whink™ Metal Cleaner or SS-T™ Metal Cleaner.
4. After washing, rinse griddle thoroughly with warm water and dry completely, including temperature control socket area. Replace grease cup.
5. Your griddle and grease cup (with temperature control removed) may be cleaned in an automatic dishwasher. Clean grease cup in top rack only. The under side of the griddle will discolor due to the mineral in the water and the high heat of the drying cycle. This will not affect the cooking ability of the griddle. Each time that the griddle is cleaned in a dishwasher; the non-stick surface should be reconditioned with cooking oil to ensure stick-free cooking. Replace grease cup.

SPECIAL CARE:

1. A spotted white film may form on the non-stick surface. This is a buildup of minerals from foods or water and is not a defect in the surface. To remove, soak a soft cloth in lemon juice or vinegar and rub on the finish. Wash the non-stick surface thoroughly, rinse, and dry. Recondition the non-stick surface with cooking oil.
2. The non-stick surface may also become stained from improper cleaning or overheating. To remove stains, clean the non-stick surface by the following method. Combine 1 cup of water and 1 tablespoon of ONE of the following cleaners: Dip-It® coffee pot destainer, automatic dishwasher detergent, or dry oxygen bleach crystals. **USE ONLY ONE OF THE ABOVE CLEANERS; DO NOT COMBINE.** Make sure grease cup is in place. Preheat griddle to 225°F. Wearing rubber gloves, dip sponge into water mixture and wipe over surface.

Continue cleaning procedure until mixture is gone. Turn griddle to OFF and allow to cool. Remove temperature control and grease cup. Scour the non-stick surface of the griddle with warm soapy water and a non-metal scouring pad. Rinse thoroughly and dry. Wash grease cup in warm soapy water and dry. Slide grease cup back into griddle. Recondition the non-stick surface with cooking oil before using.

TEMPERATURE GUIDE

Allow griddle to preheat to temperature shown, unless otherwise noted. Griddle has reached desired temperature setting when temperature control indicator light goes off. The quantities of food listed on the following pages are the maximum amount that can be grilled at one time.

FOOD	SETTING	COMMENTS
BACON (up to 1 lb.)	300°F	Place bacon on cold griddle. Set heat at 300°F. Turn and separate as bacon cooks, or separate cold slices with tongs. Fry 5 to 8 minutes per side.
EGGS (fried, up to 6)	250°F	Fry with or without oil or butter about 3 minutes per side.
FRENCH TOAST (4-6 slices)	350°F	Dip bread in milk-egg mixture. Place bread on ungreased griddle or sauté in butter. Bake 2 minutes per side.
FISH (up to 1.5lbs.)	350°F	Melt 2 Tbsp. cooking oil or butter on grill. Start frying skin side up. Fry 4 to 6 minutes per side.
FRANKFURTERS (1.5 lbs)	300°F	May be placed on griddle while it is preheating. Turn with tongs to prevent bursting. Total grilling time: 10 to 12 minutes.
HAM (2-3 slices)	325°F	Have slices cut ½” to 1” thick. Score fat and grill 10 minutes on each side. Add canned peach halves or pineapple slices during the last 5 minutes.
PANCAKES (4-6)	350°F	Add 2 Tbsp. melted butter or cooking oil to package mix batter. Bake until bubbles appear, turn and brown other side (about 1 minute per side).
POTATOES (fried) (up to 1-1/2 lbs.)	350°F	Slice or shred raw or parboiled potatoes. Add 2 Tbsp. shortening or butter to grill. Brown potatoes, stirring occasionally.
SANDWICHES (4-6)	375°F	Place filling between slices of bread. Spread outside of bread with softened butter. Grill 3 to 4 minutes per side.
SAUSAGE (up to 1.5 lbs)	300°F	Brown about 8 to 10 minutes per side. Pork should always be served well done.
STEAK (3-4 T-bone steaks)	400°F	Score fat on sirloin, porterhouse, club, tenderloin or T-bone steak. Grill steak 1” thick 4 to 6 minutes each side (rare), 5 to 8 minutes (medium), or 8 to 10- minutes (well done). Turn with tongs.
WARMING/ SERVING	WARM (150°F to 175°F)	Place food on griddle to warm. To keep warm until serving time, turn heat control down to WARM about 1 minute before cooking is completed.

PRODUCT WARRANTY

Appliance 1 Year Limited Warranty

Focus Electrics, LLC warrants this appliance from failures in the material and workmanship for one (1) year from the date of original purchase with proof of purchase, provided the appliance is operated and maintained in conformity with the Focus Electrics Instruction Manual. Any failed part of the appliance will be repaired or replaced without charge at Focus Electrics® discretion. This warranty applies to indoor household use only.

This warranty does not cover any damage, including discoloration, to any non-stick surface of the appliance. This warranty is null and void, as determined solely by Focus Electrics if the appliance is damaged through accident, misuse, abuse, scratching, overheating, if the appliance is altered in any way, or if used outside of an indoor household setting.

THIS WARRANTY IS IN LIEU OF ALL IMPLIED WARRANTIES, INCLUDING WARRANTIES OF MERCHANTABILITY, FITNESS FOR A PARTICULAR PURPOSE, PERFORMANCE, OR OTHERWISE, WHICH ARE HEREBY EXCLUDED. IN NO EVENT SHALL FOCUS ELECTRICS, LLC BE LIABLE FOR ANY DAMAGES, WHETHER DIRECT, INDIRECT, INCIDENTAL, FORESEEABLE, CONSEQUENTIAL, OR SPECIAL, ARISING OUT OF OR IN CONNECTION WITH ITS APPLIANCE.

If you think that the appliance has failed or requires service within its warranty period, please contact the Focus Electrics Customer Service Department at (866) 290-1851 or e-mail us at housewares@westbend.com. Return shipping fees are non-refundable. Hand-written receipts are not accepted. Focus Electrics, LLC is not responsible for returns lost in transit.

Valid only in USA and Canada

REPLACEMENT PARTS

Replacement parts, if available, may be ordered directly from Focus Electrics, LLC online at www.westbend.com: Replacement Parts. Or you may call or e-mail the service department at the number/e-mail address listed above, or by writing to us at:

Focus Electrics, LLC
Attn: Customer Service
P.O. Box 2780
West Bend, WI 53095

Be sure to include the catalog/model number of your appliance (located on the bottom/back of the unit) and a description and quantity of the part you wish to order. Along with this include your name, mailing address, Visa/MasterCard number, expiration date and the name as it appears on the card. Checks can be made payable to Focus Electrics, LLC. Call Customer Service to obtain purchase amount. Your state's sales tax and a shipping/processing fee will be added to your total charge. Please allow two (2) weeks for delivery.

This manual contains important and helpful information regarding the safe use and care of your new Focus Electrics, LLC product. For future reference, attach dated sales receipt for warranty proof of purchase and record the following information:

Date purchased or received as gift: _____

Where purchased and price, if known: _____

Item Number and Date Code (shown bottom/back of product): _____

PROferred™

APPLIANCES

Chauffe-plat électrique

Mode d'emploi



Enregistrez ce produit et les autres produits Focus Electrics sur notre site Internet :

www.westbend.com

Précautions importantes.....	2
Précautions pour une utilisation en présence d'enfants	2
Précautions de sécurité relatives à l'électricité	3
Précautions de sécurité à haute température.....	4
Utilisation en mode plaque	5
Utilisation en mode buffet.....	6
Nettoyage de votre chauffe-plat	6
Guide de température	8
Garantie	9

CONSERVEZ CE MODE D'EMPLOI POUR UNE CONSULTATION ULTERIEURE

PRÉCAUTIONS IMPORTANTES



MISE EN GARDE

Pour empêcher toute blessure physique ou tout dommage matériel, lisez et suivez toutes les consignes et mises en garde.

Lorsque vous utilisez des appareils électriques, les précautions de sécurité élémentaires devraient toujours être respectées, notamment :

- Lisez toutes les instructions, notamment les présentes précautions importantes, ainsi que les consignes pour l'entretien de ce manuel.
- N'utilisez pas l'appareil pour un autre usage que celui pour lequel il a été conçu.
- Ne placez pas cet appareil sur ou à proximité d'une gazinière ou d'un réchaud électrique, dans un four chaud, au réfrigérateur, ni au congélateur.
- N'utilisez pas cet appareil s'il ne fonctionne pas correctement ou s'il a été détérioré de quelque manière que ce soit. Pour des renseignements concernant les réparations, voir la page de garantie.
- L'utilisation de fixations accessoires non recommandés par Focus Electrics risque de provoquer des blessures.
- N'essayez pas de réparer cet appareil vous-même.



MISE EN GARDE

Pour empêcher toute brûlure ou toute autre blessure physique des enfants, lisez et suivez toutes les consignes et mises en garde.

PRÉCAUTIONS POUR UNE UTILISATION EN PRÉSENCE D'ENFANTS

- Ne laissez jamais les enfants sans surveillance.
- Ne laissez pas des enfants utiliser l'appareil ni s'en approcher car les surfaces extérieures atteignent une température très élevée pendant l'utilisation.
- Ne laissez pas le cordon pendre au-dessus de toute extrémité où un enfant risquerait de l'atteindre. Positionnez le cordon de façon à éviter qu'il soit tiré, qu'on s'y prenne les pieds ou qu'il s'emmêle.



MISE EN GARDE

Afin de prévenir tout choc électrique, toute blessure ou détérioration de biens, lisez et suivez la totalité des consignes et des mises en garde.



PRÉCAUTIONS DE SÉCURITÉ RELATIVES À L'ÉLECTRICITÉ

- Pour vous protéger contre tout choc électrique, n'immergez pas le cordon, les fiches ni aucune autre pièce électrique dans l'eau ni dans tout autre liquide.
- N'utilisez aucun appareil électrique dont le cordon ou la fiche est en mauvais état.
- N'utilisez pas cet appareil en extérieur.
- Assurez-vous toujours que les poignées/pieds sont correctement assemblés et fixés. Un serrage excessif risquerait de détériorer le filetage des vis ou de fissurer les poignées/pieds.
- Fixez toujours la fiche à l'appareil en premier ; ensuite branchez la fiche dans la prise secteur. Pour débrancher l'appareil, tournez toutes les commandes vers « OFF » puis retirez la fiche de la prise murale.
- Débranchez toujours l'appareil du secteur lorsque vous ne l'utilisez pas et avant de le nettoyer. Laissez-le refroidir avant de mettre en place ou de retirer des pièces ainsi qu'avant de procéder à son nettoyage.
- Le fait que votre appareil dispose d'un cordon court constitue une précaution de sécurité visant à éviter que celui-ci soit tiré, que quelqu'un s'y prenne les pieds ou qu'il ne s'emmêle. Positionnez le cordon de sorte qu'il ne pende pas au-dessus du bord du plan de travail, de la table ou de toute autre surface ou qu'il n'entre en contact avec aucune surface à haute température.
- Bien que l'utilisation d'un cordon de rallonge ne soit pas recommandée, si vous devez en utiliser un, veillez à ce que ce cordon supporte le même nombre de watts ou un nombre de watts plus élevé que la plaque (le nombre de watts est inscrit au-dessous du cache de la fiche). Si l'appareil possède une fiche de raccordement à la terre, le cordon de rallonge devrait être un cordon de raccordement à la terre à trois brins. Positionnez le cordon de rallonge de sorte qu'il ne pende pas au-dessus du bord du plan de travail, de la table ou de toute autre surface.
- Utilisez une prise secteur qui accepte la fiche polarisée de l'appareil. Sur une fiche polarisée, l'une des lames de la fiche est plus large que l'autre. Afin de réduire tout risque de choc électrique, cette fiche est conçue pour s'adapter à une prise secteur polarisée dans un sens uniquement. Si la fiche ne s'enfonce pas complètement dans la prise secteur ou dans le cordon de rallonge, retournez-la. Si la fiche ne s'adapte toujours pas, contactez un électricien qualifié. N'essayez pas de modifier la fiche de quelque manière que ce soit.
- N'utilisez pas une prise secteur ou un cordon de rallonge si la fiche s'y adapte avec un jeu ou si cette prise secteur ou ce cordon de rallonge vous semblent chauds.
- Maintenez le cordon à l'écart des pièces de l'appareil et des surfaces à haute température pendant l'utilisation.
- Attention : Risque d'incendie ou d'électrocution. N'utilisez cet appareil que si la fiche WB N° 8 est en place.



MISE EN GARDE

Pour empêcher toute brûlure, toute blessure physique ou tout dommage matériel, lisez et suivez toutes les consignes et mises en garde.



PRÉCAUTIONS DE SÉCURITÉ À HAUTE TEMPÉRATURE

- Ne touchez pas les surfaces à haute température. Utilisez les poignées carrées ou rondes et des maniques ou des gants de cuisine.
- Vous devez faire preuve d'une extrême prudence lorsque vous déplacez un appareil contenant de l'huile ou tout autre liquide à haute température.
- N'utilisez pas de réglages de température supérieurs à 200°F (95°C) pour les fonctions buffet ou maintien au chaud.
- Ne placez pas de récipients de cuisine ou de service en plastique directement sur la surface chauffante car le plastique risquerait de fondre.

CONSERVEZ CES CONSIGNES

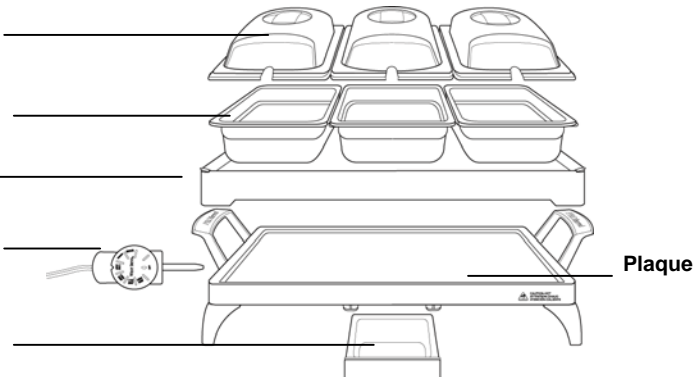
UTILISATION DE VOTRE CHAUFFE-PLAT

Couvercle
translucide

Plats
Supports pour
plats

Régulateur de
température

Égouttoir



AVANT LA PREMIÈRE UTILISATION

1. Lavez la plaque, l'égouttoir, les plats de maintien au chaud et le(s) couvercle(s) translucide(s) à l'eau chaude savonneuse avec une torchon à vaisselle ou une éponge afin de retirer tout résidu d'huile de fabrication. Rincez soigneusement puis séchez. Vérifiez que la fiche du régulateur de température est retirée et qu'elle est complètement sèche. Glissez bien l'égouttoir en place au-dessous du trou de drainage situé sur la surface de la plaque. Nous vous recommandons d'utiliser l'égouttoir pour toute application culinaire afin de contribuer à résorber tout débordement ou toute fuite potentiels.

2. Conditionnez la surface anti-adhésive en l'essuyant légèrement avec une serviette en papier ou un chiffon doux imprégnés de deux cuillers à café d'huile puis essuyez la totalité de la surface anti-adhésive. Laissez l'huile de cuisine demeurer sur la surface. N'utilisez pas de beurre ni de graisse animale pour conditionner la surface anti-adhésive.
3. Assurez-vous que les poignées/pieds sont bien fixés à la base de la plaque. Pour serrer, placez la plaque refroidie à l'envers sur la table. Serrez les vis des poignées/pieds en les tournant dans le sens des aiguilles d'une montre avec un tournevis adapté. Ne serrez pas trop fort car le filetage des vis pourrait s'abîmer. Il pourrait être nécessaire de les resserrer régulièrement.

UTILISATION EN MODE PLAQUE

1. Utilisez toujours la plaque sur une surface sèche, plane et résistante à la chaleur. Ne mettez pas la plaque en marche si vos mains sont humides. Assurez-vous que les poignées/pieds sont bien fixés à la base de la plaque. Fixez le régulateur de température à la plaque avec le cadran réglé sur OFF. Vérifiez que l'égouttoir se trouve bien en place au-dessous du trou de drainage de la plaque. N'empêchez pas l'air de circuler au-dessous de la plaque. Branchez le cordon sur une prise secteur de 120 volts AC UNIQUEMENT.
2. Consultez le Guide de température de ce livret pour sélectionner les paramétrages de température qui conviennent. (Si les aliments proviennent directement du congélateur, utilisez le paramétrage de température indiqué dans le manuel mais laissez cuire plus longtemps). La plupart des aliments ont besoin d'une période de préchauffage.
3. Le voyant indicateur du régulateur de température s'éteint lorsque la température de cuisson est atteinte : ajoutez les aliments. Vous pouvez augmenter ou diminuer la température en fonction de vos préférences personnelles et du type ou de la quantité d'aliments préparés. Le voyant témoin s'allume et s'éteint de temps à autre pour indiquer que la température qui convient est maintenue.
4. Vous pouvez préparer les aliments avec ou sans matières grasses. Lorsque vous faites frire les aliments, l'utilisation d'une petite quantité de beurre, de graisse ou d'huile améliorera le goût, la couleur et l'aspect croustillant des aliments. Lorsque vous faites frire des aliments gras comme du lard ou des saucisses, le surplus de graisse s'écoule vers l'égouttoir à travers le trou de drainage situé sur la surface de la plaque. **Ne retirez pas l'égouttoir pendant la cuisson.** Laissez toujours la plaque refroidir complètement avant de retirer l'égouttoir.
5. Nous vous recommandons d'utiliser des ustensiles de cuisine en nylon, en plastique, en bois ou en caoutchouc sur la surface anti-adhésive. Vous pouvez également utiliser des ustensiles de cuisine en métal à bouts arrondis à condition de faire preuve de prudence. N'utilisez aucun ustensile de cuisine à bout pointu comme des fourchettes, des couteaux ou des couteaux de cuisine car ceux-ci risqueraient de rayer la plaque. Les petites rayures n'auront une influence que sur l'aspect des finitions ; cela ne diminuera en rien leur propriété anti-adhésive.
6. Lorsque la période de refroidissement est terminée, réglez le cadran de contrôle de la température sur WARM pour servir les aliments ultérieurement ou réglez le cadran sur OFF si les aliments vont être retirés immédiatement de la plaque. Lorsque le cadran est réglé sur OFF, débranchez le cordon de la prise secteur. Laissez la plaque refroidir avant de retirer le régulateur de température et l'égouttoir.

UTILISATION EN MODE BUFFET

1. Utilisez toujours la plaque sur une surface sèche, plane et résistante à la chaleur. Ne mettez pas la plaque en marche si vos mains sont humides. Assurez-vous que les poignées/pieds sont bien fixés à la base de la plaque. Fixez le régulateur de température à la plaque avec le cadran réglé sur OFF. Vérifiez que l'égouttoir est bien en place au-dessous du trou de drainage sur la surface de la plaque. N'empêchez pas l'air de circuler au-dessous de la plaque. Branchez le cordon sur une prise secteur de 120 volts AC UNIQUEMENT.
2. Placez le support pour plat sur la base chauffante et placez les plats à l'intérieur du support. Ajoutez les aliments. Placez les couvercles sur les plats. **Remarque :** La chaleur et l'humidité sont préservées si les couvercles restent sur les plats de maintien au chaud. Une fente dans le couvercle permet de placer un ustensile pour le service.
3. Ce buffet est pourvu de deux réglages de température. Le réglage 1 (maintien au chaud) correspond à une température de conservation minimale de 140°F (60°C) et le réglage 2 (cuisson) correspond à une température de 180°F à 200°F (82°C - 95°C). Pour un résultat optimal, utilisez le réglage 2 pour atteindre rapidement une température de service, puis ajustez avec le réglage 1 pour maintenir les aliments au chaud. Vérifiez les réglages du régulateur de température avant de mettre l'appareil en marche. N'utilisez pas de réglages de température supérieurs à 200°F (95°C) pour le buffet ni pour le maintien au chaud.

Remarque : Vous pouvez utiliser cet appareil soit entièrement monté avec les plats ou utiliser la base chauffante seule en tant que plateau de maintien au chaud. **Les aliments placés sur la base de maintien au chaud ou dans les plats devraient être entièrement cuits et déjà chauds car le buffet est conçu pour une fonction de maintien au chaud uniquement.** Pour retenir la chaleur et l'humidité des aliments, maintenez les couvercles sur les plats en dehors du service.

- Il est possible qu'un peu de fumée et une légère odeur se dégagent pendant le chauffage en raison de la diffusion des huiles de fabrication : c'est tout à fait normal.
- Il est possible que l'appareil émette de petits bruits d'expansion/contraction pendant le chauffage et le refroidissement : c'est tout à fait normal.

NETTOYAGE DE VOTRE CHAUFFE-PLAT

1. Nettoyez méticuleusement la plaque après chaque utilisation. Ne plongez pas la plaque dans l'eau froide lorsqu'elle est à haute température. Laissez la plaque refroidir complètement puis retirez le régulateur de température et l'égouttoir. Jetez la graisse. Plongez la plaque et l'égouttoir dans de l'eau savonneuse tiède. Les plats en acier inoxydable et les couvercles de plastique translucides passent au lave-vaisselle. Les couvercles devraient être placés sur la grille supérieure uniquement. Essuyez le régulateur de température à l'aide d'un chiffon humide si nécessaire. Rincez et séchez soigneusement.
2. Nettoyez la surface anti-adhésive de la plaque à l'eau savonneuse très chaude, en utilisant un tampon de nettoyage non métallique comme une éponge à gratter Scrunge[®], une éponge Dobie[®] ou une éponge Scotch-Brite Cookware Scrub'n Sponge[®]. Un torchon à vaisselle ou une éponge peuvent donner un aspect propre à la surface anti-adhésive mais cela n'éliminera pas les minuscules particules d'aliments qui peuvent s'incruster dans les finitions. N'utilisez pas de tampons à récurer métalliques ni de poudres à récurer agressives.

3. Nettoyez la surface inférieure sans revêtement de la plaque à l'eau savonneuse très chaude et avec un tampon à récurer en fibre imbibé de savon. Retirez les tâches à l'aide d'un agent nettoyant ménager. Retirez la graisse carbonisée à l'aide d'un nettoyant spécial pour les appareils électriques comme le nettoyant pour poêles et grills Wantz™, le nettoyant pour poêles Afta™, le nettoyant pour métal Whink™ ou le nettoyant pour métal SS-T®.
4. Après l'avoir lavée, rincez méticuleusement la plaque à l'eau chaude et séchez-la complètement, y compris la zone de la fiche du régulateur de température. Remettez l'égouttoir en place.
5. Votre plaque et votre égouttoir (une fois le régulateur de température retiré) passent au lave-vaisselle automatique. Nettoyez l'égouttoir dans le bac du haut uniquement. Le côté inférieur de la plaque va se décolorer à cause des minéraux présents dans l'eau et de la température élevée du cycle de séchage. Cela n'a aucune influence sur la capacité de cuisson de la plaque. A chaque fois que la plaque est nettoyée au lave-vaisselle, la surface anti-adhésive devrait être conditionnée à nouveau avec de l'huile de cuisine afin d'assurer une cuisson anti-adhésive. Remettez l'égouttoir en place.

ENTRETIEN PARTICULIER :

1. Il est possible qu'une pellicule blanche tachetée se forme sur la surface anti-adhésive. Il s'agit d'une accumulation de minéraux en provenance des aliments ou de l'eau et non d'un défaut de la surface. Pour retirer cette pellicule, trempez un chiffon doux dans du jus de citron ou dans du vinaigre puis frottez-le sur les finitions. Lavez bien la surface anti-adhésive, rincez et séchez. Reconditionnez la surface anti-adhésive avec de l'huile de cuisine.
2. La surface anti-adhésive peut également se tâcher suite à un nettoyage inadapté ou à une surchauffe. Pour éliminer les tâches, nettoyez la surface anti-adhésive en appliquant la méthode ci-dessous : Mélangez 1 mesure d'eau et 1 cuiller à soupe de l'UN des produits suivants : Détachant pour cafetière Dip-It®, détergent pour lave-vaisselle automatique ou cristaux d'eau de javel oxygénée sèche. **UTILISEZ UNIQUEMENT UN SEUL DES DÉTERGENTS CI-DESSUS ; NE LES MÉLANGEZ PAS.** Vérifiez que l'égouttoir est en place. Préchauffez la plaque à 225°F. En portant des gants en caoutchouc, trempez l'éponge dans le mélange et essuyez la surface.

Continuez la procédure de nettoyage jusqu'à ce que le mélange ait disparu. Positionnez la plaque sur OFF et laissez-la refroidir. Retirez le régulateur de température et l'égouttoir. Nettoyez la surface anti-adhésive de la plaque à l'eau savonneuse à l'aide d'un tampon à récurer non métallique. Rincez soigneusement puis séchez. Nettoyez l'égouttoir à l'eau chaude savonneuse puis rincez-le. Glissez à nouveau l'égouttoir sous la plaque. Reconditionnez la surface anti-adhésive avec de l'huile de cuisine avant utilisation.

GUIDE DE TEMPÉRATURE

Laissez la plaque préchauffer jusqu'à la température indiquée, sauf mention contraires. La plaque a atteint le réglage de température souhaité lorsque le voyant d'indication de la température s'éteint. Les quantités d'aliments indiquées sur les pages suivantes sont les quantités maximales qui peuvent être grillées en même temps.

ALIMENT	RÉGLAGE	COMMENTAIRES
LARD (jusqu'à 1 livre)	300°F	Placez le lard sur la plaque froide. Réglez la température sur 300°F. Retournez et séparez les tranches de lard pendant la cuisson, ou séparez les tranches froides à l'aide d'une pince. Faites frire 5 à 8 minutes de chaque côté.
OEUFS (fris, jusqu'à 6)	250°F	Faites frire avec ou sans huile ou beurre environ 3 minutes de chaque côté.
PAIN GRILLÉ (4-6 tranches)	350°F	Trempez le pain dans un mélange de lait et d'oeuf. Placez le pain sur la plaque non graissée ou faites-le fricasser au beurre. Faites cuire 2 minutes de chaque côté.
POISSON (jusqu'à 1,5 livres)	350°F	Mélangez 2 cuillers à soupe d'huile de cuisson ou de beurre sur la plaque. Commencez à faire frire, en orientant la peau vers le haut. Faites frire 4 à 6 minutes de chaque côté.
SAUCISSES DE FRANKFORT (1,5 livres)	300°F	Peuvent être placées sur la plaque pendant le préchauffage. Retournez les saucisses avec des pinces pour éviter qu'elles éclatent. Durée de grillade totale : 10 à 12 minutes.
JAMBON (2-3 tranches)	325°F	Ayez des tranches coupées d'une épaisseur de 1,25 cm à 2,5 cm (½" à 1"). Réservez la graisse et faites griller 10 minutes de chaque côté. Ajoutez des demi-pêches en conserve ou des tranches d'ananas pendant les 5 dernières minutes.
CRÊPES (4-6)	350°F	Ajoutez 2 cuillers à soupe de beurre fondu ou d'huile de cuisine au mélange de pâte à crêpe. Faites cuire jusqu'à ce des bulles se forment, retournez et faites dorer l'autre côté (environ 1 minute de chaque côté).
POMMES DE TERRE (fricassées) (jusqu'à 1-1/2 livres)	350°F	Coupez en tranches ou émincez des pommes de terre crues ou bouillies. Ajoutez 2 cuillers à soupe de matière grasse végétale ou de beurre sur la plaque. Faites brunir les pommes de terre, en remuant de temps en temps.
SANDWICHES (4-6)	375°F	Placez la garniture entre les tranches de pain. Tartinez l'extérieur du pain avec du beurre ramolli. Faites griller 3 à 4 minutes de chaque côté.
SAUCISSES (jusqu'à 1,5 livres)	300°F	Faites dorer environ 8 à 10 minutes de chaque côté. Le porc devrait toujours être servi bien cuit.
STEAK (3-4 biftecks d'aloyau)	400°F	Réservez la graisse de la surlonge, de l'aloyau, du club, du filet ou du bifteck d'aloyau. Faites griller un steak de 2,5 cm (1") d'épaisseur 4 à 6 minutes (saignant), 5 à 8 minutes (à point), ou 8 à 10 minutes (bien cuit) de chaque côté. Retournez-le avec des pinces.
MAINTIEN AU CHAUD/SERVICE	CHAUD (150°F à 175°F)	Placez les aliments sur la plaque pour les réchauffer. Pour les maintenir au chaud jusqu'au moment de les servir, positionnez le régulateur de température sur WARM environ 1 minute avant la fin de la cuisson.

GARANTIE DU PRODUIT

Garantie de l'appareil limitée à 1 an

Focus Electrics, LLC garantit le présent appareil contre tout défaut de pièce et de main d'oeuvre pendant un (1) an à compter de la date de l'achat initial, sur présentation d'un justificatif d'achat, à condition que l'appareil soit utilisé et entretenu conformément au mode d'emploi de Focus Electrics. Toute pièce défectueuse de l'appareil sera réparée ou remplacée sans frais à la discrétion de Focus Electrics. Cette garantie s'applique aux appareils ménagers d'intérieur uniquement.

La présente garantie ne couvre aucune détérioration, notamment la décoloration, de toute surface anti-adhésive de cet appareil. La présente garantie est nulle et non avenue, comme déterminé uniquement par Focus Electrics, si l'appareil est détérioré en raison de tout accident, de toute mauvaise utilisation ou de tout abus, de toute rayure, de toute surchauffe, ou si l'appareil est modifié de quelque manière que ce soit ou s'il est utilisé hors du cadre d'un intérieur domestique.

CETTE GARANTIE ANNULE ET REMPLACE TOUTE GARANTIE INDUITE, NOTAMMENT LES GARANTIES DE COMMERCIALISATION, D'ADAPTATION À UN USAGE PARTICULIER, DE FONCTIONNEMENT OU AUTRE, QUI SONT PAR LA PRÉSENTE EXCLUES. EN AUCUN CAS FOCUS ELECTRICS, LLC NE POURRA ETRE CONSIDÉRÉ COMME RESPONSABLE DE TOUTE DÉTÉRIORATION, QUE CELLE-CI SOIT DIRECTE, INDIRECTE, INDUITE, PRÉVISIBLE, SECONDAIRE OU PARTICULIÈRE, RÉSULTANT DE L'UTILISATION DE CET APPAREIL OU EN RAPPORT AVEC SON UTILISATION.

Si vous pensez que cet appareil est défectueux ou nécessite des réparations pendant la durée de sa garantie, veuillez contacter le Service clientèle de Focus Electrics au (866) 290-1851 ou nous envoyer un e-mail à cette adresse : housewares@westbend.com. Les frais d'envoi de retour ne sont pas remboursables. Les factures manuscrites ne sont pas acceptées. Focus Electrics, LLC n'est pas responsable des appareils retournés qui sont perdus pendant le transport.

Valable uniquement aux USA et au Canada

PIÈCES DE RECHANGE

Lorsque des pièces de rechange sont disponibles à la vente, vous pouvez les commander directement auprès de Focus Electrics, LLC en commandant en ligne sur le site Internet : www.westbend.com : Pièces de rechange. Vous pouvez également appeler ou envoyer un e-mail au service des réparations au numéro/à l'adresse e-mail indiqué(e) ci-dessus ou nous écrire à :

Focus Electrics, LLC
Attn: Customer Service
P.O. Box 2780
West Bend, WI 53095

Veillez à inclure le numéro du modèle/catalogue de votre appareil (situé au-dessous/au dos de l'appareil) et une description ainsi que la quantité de la pièce que vous souhaitez commander. Indiquez également votre nom, votre adresse postale, votre numéro de carte Visa/Mastercard, la date d'expiration et le nom tel qu'il figure sur la carte. Les chèques peuvent être rédigés à l'ordre de Focus Electrics, LLC. Appelez le service client pour connaître le montant de votre achat. Les taxes de votre état ainsi qu'un honoraire d'expédition/traitement seront ajoutés à votre prix total. Vous recevrez votre envoi sous deux (2) semaines.

Ce guide contient des renseignements importants et utiles concernant l'utilisation sans danger et l'entretien de votre nouveau produit Focus Electrics, LLC. Pour une consultation ultérieure, fixez le reçu de caisse daté pour la preuve d'achat nécessaire à la garantie puis inscrivez les renseignements ci-dessous :

Date d'achat ou de réception en cadeau : _____

Lieu d'achat et prix, si connu : _____

Numéro de l'article et Code de la date (indiqués au bas/dos du produit) : _____

PROferred™

APPLIANCES

Bandeja de buffet/Plancha de cocción

Manual de instrucciones



Registre este y otros productos Focus Electrics a través de nuestro sitio web.

www.westbend.com

Precauciones importantes.....	2
Precauciones al usar cerca de niños.....	2
Precauciones relativas a la electricidad	3
Precauciones relativas al calor.....	4
Su uso como plancha de cocción.....	5
Su uso como bandeja de buffet.....	6
Limpieza de la Bandeja de buffet/Plancha de cocción	6
Guía de temperaturas	8
Garantía	9

CONSERVE ESTE MANUAL DE INSTRUCCIONES PARA FUTURAS CONSULTAS

PRECAUCIONES IMPORTANTES



PRECAUCIÓN

Para evitar lesiones personales o daños materiales, lea y acate todas las instrucciones y advertencias.

Al utilizar artefactos electrodomésticos, siempre deben acatarse las precauciones básicas de seguridad incluyendo las siguientes:

- Lea todas las instrucciones, incluso estas precauciones importantes, así como las instrucciones de uso y cuidado en este manual.
- No utilice el aparato para usos distintos del indicado.
- No lo coloque sobre o cerca de un calentador eléctrico o a gas, en un horno caliente, o en el refrigerador o congelador.
- No opere el artefacto electrodoméstico cuando no funcione correctamente o haya sido dañado de cualquier manera. Para información relativa al servicio de reparaciones vea la página de garantías.
- El uso de accesorios no recomendados por Focus Electric, LLC puede causar lesiones.
- No trate de reparar este artefacto electrodoméstico usted mismo.



PRECAUCIÓN

Para prevenir quemaduras u otras lesiones a los niños, lea y acate todas las instrucciones y advertencias.

PRECAUCIONES AL USAR CERCA DE NIÑOS

- Siempre supervise a los niños.
- No permita que los niños usen o estén cerca del artefacto electrodoméstico ya que las superficies externas de éste se calientan al usarse.
- No permita que el cordón eléctrico cuelgue de algún borde donde pueda ser alcanzado por los niños. Coloque el cordón eléctrico de modo que se eviten lesiones que resulten del halar, tropezarse o enredarse en el mismo.



PRECAUCIÓN

Para evitar descargas eléctricas, lesiones personales o daños materiales, lea y acate todas las instrucciones y advertencias.



PRECAUCIONES RELATIVAS A LA ELECTRICIDAD

- Para protegerse contra descargas eléctricas no sumerja el cable, enchufes, u otras partes eléctricas en agua u otros líquidos.
- No opere artefacto electrodoméstico alguno con el cordón eléctrico o el enchufe dañado.
- No use este artefacto electrodoméstico al aire libre.
- Siempre compruebe que las asas/patas estén correctamente ensambladas y sujetadas. El apretar de más puede dañar las ranuras de las cabezas de los tornillos o rajar las asas o las patas.
- Siempre conecte primero el enchufe al artefacto electrodoméstico, y luego enchufe el cordón eléctrico al tomacorriente. Para desconectar, coloque cualquier control en la posición "OFF" (apagado), y luego desenchufe del tomacorriente.
- Siempre desenchúfelo del tomacorriente cuando no esté en uso y antes de limpiarlo. Permita que se enfríe antes de colocarle o quitarle piezas o antes de limpiarlo.
- Su artefacto electrodoméstico tiene un cordón eléctrico corto como medida de precaución para impedir el halado, tropiezo o enredo accidental con el mismo. Coloque el cordón eléctrico de tal manera que no cuelgue del borde de un mostrador, mesa u otra superficie o toque áreas calientes.
- No se recomienda usar un cable de extensión, pero si debe hacerlo, cerciórese de que el vataje del mismo sea igual o superior al de la plancha de cocción (el vataje está estampado debajo de la base). Si el artefacto electrodoméstico es del tipo conectado a tierra, la extensión eléctrica debería ser un cordón eléctrico de 3 alambres del tipo conectado a tierra. Coloque el cable de extensión de tal modo que no cuelgue del borde de un mostrador, mesa u otra superficie a fin de impedir que se hale, tropiece o enrede en el mismo.
- Use un tomacorriente apto para el enchufe polarizado del artefacto electrodoméstico. En un enchufe polarizado, una hoja es más ancha que la otra. Para reducir el riesgo de una descarga eléctrica, este enchufe está diseñado para encajar de una sola manera dentro del tomacorriente polarizado. Invierta el enchufe si éste no encaja completamente en el tomacorriente o en el cable de extensión. Si el enchufe todavía no encaja, consulte con un electricista calificado. No trate de modificar el enchufe de manera alguna.
- No use un tomacorriente o cable de extensión en el cual el enchufe calza flojamente, o si el tomacorriente o el cable de extensión se calientan.
- Mantenga el cordón eléctrico alejado de las partes calientes del electrodoméstico mientras éste esté operándose.
- **PRECAUCIÓN:** Riesgo de fuego o descarga eléctrica. Opere este artefacto solamente con el enchufe WB #8 puesto.



PRECAUCIÓN

Para evitar quemaduras, lesiones personales o daños materiales, lea y acate todas las instrucciones y advertencias.

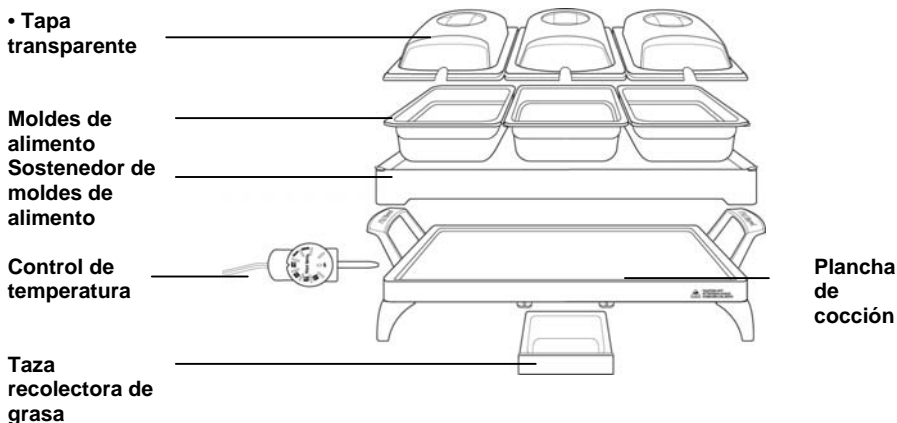


PRECAUCIONES RELATIVAS AL CALOR

- No toque las superficies calientes. Use las asas o las perillas y almohadillas aislantes o guantes térmicos.
- Debe tenerse extremo cuidado al mover cualquier artefacto electrodoméstico que contenga aceite caliente u otros líquidos calientes.
- No use el control de temperatura por encima de 200°F (95°C) para usos como bandeja de buffet o aplicaciones de calentamiento.
- No coloque recipientes plásticos para cocinar o servir o utensilios de plástico directamente sobre la superficie de calentamiento ya que el plástico podría fundirse.

CONSERVE ESTAS INSTRUCCIONES

CÓMO USAR LA BANDEJA DE BUFFET / PLANCHA DE COCCIÓN



ANTES DE USARLA POR PRIMERA VEZ:

1. Lave la plancha de cocción, la taza recolectora de grasa, las bandejas de calentamiento y la(s) tapa(s) transparente(s) en agua jabonosa caliente con un trapo de cocina o una esponja para eliminar cualquier aceite industrial. Enjuáguelas bien y séquelas. Asegúrese de sacar el enchufe de control de temperatura seguro y de que esté bien seco. Deslice la taza recolectora de grasa hasta quedar bien sujeta en su sitio debajo del agujero de drenaje en la superficie de la plancha de cocción. Se recomienda que la taza de recolección de grasa sea utilizada con cualquier uso que implique cocinar para ayudar a contener posibles desbordamientos o derrames.

2. Acondicione el acabado antiadherente frotando suavemente dos cucharaditas de aceite de cocinar sobre toda la superficie fría con una toalla de papel o un trapo suave. Deje que el aceite permanezca sobre el acabado. No use manteca o mantequilla para acondicionar la superficie antiadherente.
3. Asegúrese de que las asas y las patas estén bien fijadas a la base de la plancha de cocción. Para apretarlas, coloque la plancha de cocción fría al revés sobre la mesa. Apriete los tornillos de las asas y las patas atornillándolos en el sentido de las agujas del reloj con un destornillador apropiado. No los apriete de más ya que puede dañar las ranuras de las cabezas de los mismos. Pudiera requerirse apretarlos periódicamente.

SU USO COMO PLANCHA DE COCCIÓN

1. Siempre utilice la plancha de cocción sobre una superficie seca, horizontal y resistente al calor. No opere la plancha de cocción con las manos mojadas. Asegúrese de que las asas y las patas estén bien fijadas a la base de la plancha de cocción. Fije el control de temperatura a la plancha de cocción con el dial ajustado a la posición "OFF" (apagado). Asegúrese de que la taza recolectora de grasa esté bien sujeta en su sitio debajo del agujero de drenaje en la superficie de la plancha de cocción. No obstruya el flujo de aire que pasa por debajo de la plancha de cocción. Enchufe el cordón eléctrico SOLAMENTE a un tomacorriente de corriente alterna de 120 voltios.
2. Para seleccionar el ajuste de temperatura correcto, consulte la Guía de Temperatura en este manual. (Si los alimentos se han tomado directamente del congelador, use la temperatura indicada, pero dé más tiempo de cocción). La mayoría de los alimentos requieren un tiempo de precalentamiento.
3. La luz indicadora en el controlador de temperatura se apagará cuando se haya llegado a la temperatura de cocción; agregue los alimentos. El calor puede aumentarse o disminuirse, dependiendo del gusto personal y el tipo o cantidad de alimentos que se estén preparando. La luz indicadora se encenderá y apagará periódicamente para indicar que se está manteniendo la temperatura correcta.
4. Los alimentos pueden prepararse con o sin grasas. Al freír, el uso de pequeñas cantidades de mantequilla, manteca o aceite mejorará el sabor y el crujido de los alimentos. Al freír alimentos grasas como tocino o salchichas, el exceso de grasa drenará a la taza de recolección de grasa a través del agujero de desagüe localizado en la superficie de la plancha de cocción. **No retire la taza recolectora de grasa mientras se esté cocinando.** Permita que la plancha de cocción se enfríe por completo antes de retirar la taza recolectora de grasa.
5. Se recomienda utilizar utensilios de cocina de nylon, plástico, hule o madera sobre la superficie antiadherente. Siempre que se usen con cuidado, pueden utilizarse utensilios de metal con bordes romos. No use utensilios de cocina afilados tales como tenedores, cuchillos o picadores de alimentos ya que pudieran rayar la superficie. Las rayas menores afectarán solamente la apariencia del acabado; no dañaran sus propiedades antiadherentes.
6. Cuando se haya completado el tiempo de cocción, ajuste el dial del controlador de temperatura a la posición WARM (tibio) si los alimentos cocidos van a servirse más adelante o a la posición OFF (apagado) si se retirarán inmediatamente de la plancha de cocción. Una vez el dial se coloque en la posición OFF (apagado), desenchufe el cable del tomacorriente. Permita que la plancha de cocción se enfríe antes de retirar el controlador de temperatura y la taza de grasa.

SU USO COMO BANDEJA DE BUFFET

1. Siempre utilícela sobre una superficie seca, horizontal y resistente al calor. No la opere con las manos mojadas. Asegúrese de que las asas y las patas estén bien fijadas a la base de la plancha de cocción. Fije el control de temperatura a la plancha de cocción con el dial ajustado a la posición "OFF" (apagado). Asegúrese de que la taza recolectora de grasa esté bien sujeta en su sitio debajo del agujero de drenaje en la superficie de la plancha de cocción. No obstruya el flujo de aire que pasa por debajo de la plancha de cocción. Enchufe el cordón eléctrico SOLAMENTE a un tomacorriente de corriente alterna de 120 voltios.
2. Coloque al sostenedor de moldes de alimento sobre la base de calentamiento y coloque los moldes de alimento dentro del sostenedor de moldes de alimento. Añada los alimentos. Coloque las tapas sobre los moldes de alimento. **Nota:** El calor y la humedad serán retenidos si las tapas se mantienen puestas sobre los platos de servir. Se provee una ranura en la tapa para un cubierto de servir.
3. Esta Bandeja de Buffet está equipada con dos ajustes de calor. El punto de control 1 (mantener caliente) es una temperatura de mantenimiento mínima de 140°F (60°C) y el punto de control 2 (hervor a fuego lento) es de 180°F a 200°F (82°C - 95°C). Para los mejores resultados, use el punto de control 2 para alcanzar rápidamente la temperatura para servir, y luego ajuste al punto de control 1 para mantener los alimentos calientes. Compruebe el punto de control de calor antes de poner el artefacto a funcionar. No use puntos control de temperaturas por encima de 200°F (95°C) al usar el artefacto como bandeja de buffet o en aplicaciones de calentamiento.

Nota: Usted puede usar esta unidad totalmente ensamblada con las bandejas de alimento o usar la base de la plancha de cocción sola como bandeja de calentamiento.

El alimento colocado sobre la base de calentamiento o en las bandejas de calentamiento deberá estar totalmente cocinado y ya caliente dado que la bandeja de buffet está diseñada sólo para conservar calientes a los alimentos. Para retener el calor y la humedad de los alimentos, mantenga puestas las tapas sobre las bandejas de los alimentos mientras no se esté sirviendo.

- Al calentar el artefacto podrá emitirse una pequeña cantidad de humo y/o un leve olor a causa de la emanación de los aceites usados en la fabricación de éste - esto es normal.
- Durante el calentamiento y enfriamiento pudieran ocurrir algunos ruidos menores de expansión y contracción - esto es normal.

LIMPIEZA DE LA BANDEJA DE BUFFET/PLANCHA DE COCCIÓN

1. Limpie la plancha de cocción a fondo tras cada uso. No sumerja la plancha de cocción en agua fría cuando esté caliente. Permita que la plancha de cocción se enfríe completamente y luego retire el controlador de temperatura y la taza recolectora de grasa. Deseche la grasa. Sumerja la plancha de cocción y la taza recolectora de grasa en agua caliente jabonosa. Las cacerolas de acero inoxidable y las tapas plásticas transparentes pueden limpiarse en un lavavajillas. Las tapas deben colocarse solamente en la rejilla superior. Si fuese necesario, pase un trapo húmedo sobre el controlador de temperatura. Enjuague y seque a fondo.
2. Limpie la superficie antiadherente de la plancha de cocción con agua caliente jabonosa, usando una esponja de fregar no metálica tal como las esponjas "Scrunge[®]", "Dobie[®]" o "Scotch-Brite Cookware Scrub'n Sponge[®]". Un paño de cocina o una esponja normal dejarán a la superficie antiadherente con una apariencia limpia, pero no eliminarán las pequeñas partículas de alimentos que se depositan sobre el acabado. No utilice esponjas metálicas o polvos limpiadores abrasivos.

3. Limpie la parte inferior de aluminio no recubierto de la plancha de cocción con agua caliente jabonosa y una esponja metálica de lana de acero llena de jabón. Quite las manchas con un limpiador doméstico. Elimine la grasa quemada usando un limpiador especial para artefactos electrodomésticos, como los limpiadores de sartenes y hornos Wantz™ Frypan and Grill Cleaner, Afta™ Fry Pan Cleaner, Whink™ Metal Cleaner o SS-T® Metal Cleaner.
4. Después de lavarla, enjuague la plancha de cocción a fondo con agua caliente y séquela completamente, incluyendo el área del receptáculo del controlador de temperatura. Vuelva a colocar la taza recolectora de grasa en su sitio.
5. La plancha de cocción y la taza recolectora de grasa (con el controlador de temperatura retirado) pueden lavarse en un lavavajillas. La taza recolectora de grasa debe lavarse solamente en la canastilla superior. El lado inferior de la plancha de cocción se decolorará debido a los minerales en el agua y a la alta temperatura del ciclo de secado. Esto no afectará en nada la capacidad de cocción de la plancha. Cada vez que se lave la plancha de cocción en un lavavajillas, se deberá reacondicionar la superficie antiadherente usando aceite para cocinar para así asegurar que se mantengan las propiedades antiadherentes. Vuelva a colocar la taza recolectora de grasa en su sitio.

CUIDADOS ESPECIALES:

1. Sobre la superficie antiadherente se puede formar una película blanca a motas. Ésta es una acumulación de minerales provenientes de los alimentos o del agua y no es un defecto en la superficie. Para eliminarla, restriegue el acabado con un trapo suave remojado en zumo de limón o vinagre. Lave la superficie antiadherente a fondo, enjuáguela y séquela. Reacondicione la superficie antiadherente con aceite para cocinar.
2. La superficie antiadherente puede también mancharse si no se limpia bien o si se sobrecalienta. Para eliminar las manchas, limpie la superficie antiadherente de la manera siguiente: Mezcle 1 taza de agua y 1 cucharadita de UNO de los siguientes limpiadores: desmanchador de cafeteras Dip-It®, detergente para lavavajillas automáticos o cristales secos de blanqueador oxigenado. USE SOLAMENTE UNO DE LOS LIMPIADORES INDICADOS; NO LOS COMBINE. Asegúrese de que la taza recolectora de grasa esté en su sitio. Precaliente la plancha de cocción a 225°F. Llevando puesto guantes de goma, bañe la esponja en la mezcla de agua y limpie sobre la superficie.

Continúe el procedimiento de limpieza hasta agotar la mezcla. Apague la plancha de cocción (posición OFF) y deje que se enfríe. Quite el control de temperatura y la taza de recolección de grasa. Friegue la superficie antiadherente con agua jabonosa caliente y una esponja para fregar no metálica. Enjuáguela bien y séquela. Lave la taza recolectora de grasa en agua jabonosa caliente y séquela. Coloque la taza recolectora de grasa de vuelta en la plancha de cocción. Antes de usar, reacondicione la superficie interior antiadherente con aceite para cocinar.

GUÍA DE TEMPERATURAS

Permita que la plancha de cocción se precaliente a las temperaturas mostradas, a menos que se indique lo contrario. La plancha de cocción habrá llegado a la temperatura a la que se ajustó cuando la luz indicadora del controlador de temperatura se apague. Las cantidades de alimento indicadas en las siguientes páginas son la cantidad máxima que puede cocinarse a la vez en la plancha de cocción.

ALIMENTO	AJUSTE	COMENTARIOS
TOCINO (hasta 1 lb)	300°L	Coloque el tocino sobre la plancha de cocción fría. Ajuste la temperatura a 300°F. Déle vuelta y separe el tocino mientras se cocina, o separe las lonjas de tocino frío con unas tenacillas. Fría cada lado 5 a 8 minutos.
HUEVOS (fritos, hasta 6)	250°L	Fríalos con o sin aceite o mantequilla aproximadamente 3 minutos por lado.
TORREJAS (4 a 6 rebanadas)	350°L	Moje el pan en una mezcla de leche y huevos. Coloque el pan sobre la plancha de cocción sin engrasar o sofría en mantequilla. Cocine 2 minutos cada lado.
PESCADO (hasta 1,5 lbs / 700 gm)	350°L	Derrita 2 cucharaditas de aceite de cocinar o mantequilla sobre la plancha de cocción. Empiece a freír con el lado de la piel hacia arriba. Fría cada lado 4 a 6 minutos.
FRANKFURTERS (1,5 lbs / 700 gm)	300°L	Pueden colocarse sobre la plancha de cocción mientras se esté precalentando. Gírelas con tenacillas para evitar que se quemen. Tiempo total de asado: 10 a 12 minutos.
JAMÓN (2-3 lonjas)	325°L	Corte lonjas de ½" a 1" (1,2 a 2,5 cm) de espesor. Haga estrías sobre la grasa y ase 10 minutos cada lado. Agregue mitades de melocotones enlatados o rebanadas de piña durante los últimos 5 minutos.
PANQUEQUES (4-6)	350°L	Agregue 2 cucharaditas de mantequilla derretida o aceite de cocinar a la masa. Cocine hasta que aparezcan burbujas, déles vuelta y dore el otro lado (alrededor de 1 minuto por lado).
PAPAS (fritas) (hasta 1-1/2 lbs [700 gm])	350°L	Corte las papas - sin cocinar o hervidas - en rebanadas o en tiras. Agregue 2 cucharaditas de manteca o mantequilla para freír. Papas marrones, moviéndose de vez en cuando.
SÁNDWICHES (4-6)	375°L	Coloque el relleno entre las rebanadas de pan. Extensión fuera del pan con mantequilla ablandada. Fría 4 a 4 minutos cada lado.
SALCHICHA (hasta 1,5 lbs [700 gm])	300°L	Dore cada lado unos 8 a 10 minutos. El cerdo siempre debe servirse bien cocido.
BISTEC (3-4 bistecs)	400°L	Haga estrías en la grasa de los cortes de solomillo, porterhouse, club, lomo o T-bone. Ase los bistecs de 1" (2,5 cm) de grueso 4 a 6 minutos en cada lado (vuelta y vuelta), 5 a 8 minutos (término medio), u 8 a 10 minutos (bien cocido). Voltéelos con tenacillas.
CALENTAR/SERVIR	TIBIO (150°F a 175°F)	Coloque la comida en la plancha de cocción para calentarla. Para mantenerla caliente hasta servirla, baje el control de calor a WARM (mantener caliente) aproximadamente 1 minuto antes de que la cocción se haya completado.

GARANTÍA DEL PRODUCTO

Garantía limitada de 1 año del artefacto electrodoméstico

Focus Electrics, LLC garantiza que este aparato no presentará fallas de material ni fabricación durante un (1) año a partir de la fecha original de compra con prueba de dicha compra, siempre y cuando el aparato sea operado y mantenido tal como se indica en el manual de instrucciones de Focus Electrics. Toda pieza del aparato que presente fallas será reparada o reemplazada sin costo alguno a criterio de Focus Electrics. Esta garantía rige solamente para el uso domestico dentro de la casa.

Esta garantía no cubre ningún daño, incluyendo la decoloración, de superficie antiadherente alguna del aparato electrodoméstico. La garantía quedará nula e inválida, según lo determine exclusivamente Focus Electrics, si el aparato electrodoméstico resultase dañado debido a accidentes, uso indebido o abuso, rayaduras, sobrecalentamiento o si es alterado de algún modo o si se utiliza al aire libre fuera del entorno interior del hogar.

ESTA GARANTÍA REEMPLAZA A TODAS LAS DEMÁS GARANTÍAS IMPLÍCITAS, INCLUYENDO AQUÉLLAS DE COMERCIABILIDAD, IDONEIDAD PARA UN FIN O USO EN PARTICULAR, DESEMPEÑO, U OTROS TIPOS, LAS CUALES QUEDAN EXCLUIDAS MEDIANTE EL PRESENTE DOCUMENTO. FOCUS ELECTRICS, LLC RECHAZA TODA RESPONSABILIDAD POR DAÑOS, YA SEAN DIRECTOS, INMEDIATOS, INCIDENTALES, PREVISIBLES, CONSECUENTES O ESPECIALES QUE SURJAN DEL USO DEL APARATO ELECTRODOMÉSTICO O GUARDEN RELACIÓN CON EL MISMO.

Si piensa que el artefacto electrodoméstico se ha dañado o requiere de servicio dentro de su período de garantía, por favor póngase en contacto con el Departamento de Atención al Cliente de Focus Electrics a través del (866) 290-1851 o contáctenos por correo electrónico a la dirección housewares@westbend.com. Los gastos de envío de devoluciones no son reembolsables. Los recibos escritos a mano no son aceptados. Focus Electrics, LLC no se hace responsable de las devoluciones perdidas en tránsito.

Válido sólo en EE.UU. y Canadá

REPUESTOS

Los repuestos, de estar disponibles, pueden pedirse directamente a Focus Electrics, LLC en línea en www.westbend.com: Replacement Parts. O puede llamarnos o enviarnos un mensaje de correo electrónico al departamento de servicio al número/dirección antedichos o escribiéndonos a:

Focus Electrics, LLC
Attn: Customer Service
P.O. Box 2780
West Bend, WI 53095, EE.UU.

Cerciórese de incluir el número de catálogo/modelo del aparato electrodoméstico (situado en la parte inferior/posterior de la unidad) así como la descripción y la cantidad de repuestos que necesita. Junto con esta información, incluya su nombre, dirección postal, número de tarjeta de crédito Visa o MasterCard, la fecha de vencimiento y el nombre tal como aparece en la tarjeta. Los cheques deben hacerse pagaderos a Focus Electrics, LLC. Llame a Servicio a la Clientela para que le informen el monto de la compra. Se sumará al total el impuesto de venta estatal que corresponda, más un cargo por despacho y procesamiento. La entrega tarda dos (2) semanas.

Este folleto contiene información importante y útil sobre el uso seguro y el cuidado de su nuevo producto de Focus Electrics, LLC. Para su propia referencia, archive aquí el recibo fechado que sirve de comprobante de compra para la garantía, y anote la siguiente información:

Fecha en que compró o recibió la unidad como regalo: _____

Dónde se efectuó la compra y el precio, si lo sabe: _____

Número y código de fecha del producto (aparece en la parte inferior/posterior de la unidad): _____

